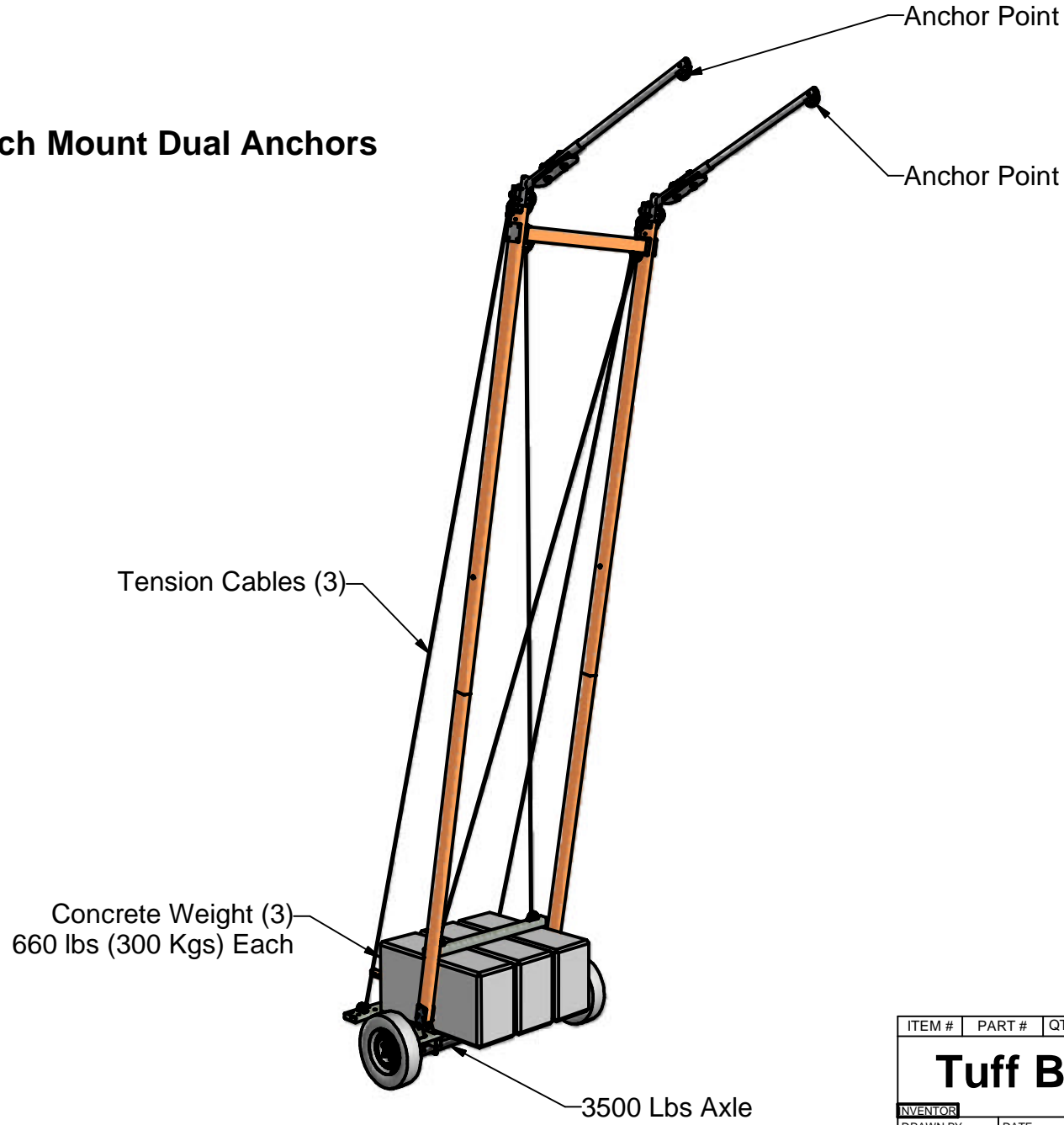


**TOLERANCES**  
 (UNLESS OTHERWISE SPECIFIED)  
 .X± 0.040  
 .XX± 0.020  
 .XXX± 0.010  
 ANGLES± 1°

**METRIC DIMENSIONS TOLERANCES**  
 (UNLESS OTHERWISE SPECIFIED)  
 .X± 0.60  
 .XX± 0.30  
 ANGLES± 1°

**Sky-X-Stand Hitch Mount Dual Anchors**  
 Pt# 70023



Weight (est.): 828 Lbs (376 Kgs) without Concrete weights  
 2808 Lbs (1276 Lgs) with Concrete weights

Specifications are subject to change without notice.

ITEM #	PART #	QTY	DESCRIPTION		
<b>Tuff Built Products Inc.</b>					
<b>INVENTOR</b>					
DRAWN BY: RGB		DATE: 07/05/2010		SCALE:	DIMENSIONS: INCHES (mm)
CHECKED BY:		DATE:		APPROVED BY:	DATE:
PROJECT: 10433				DWG SIZE: A	REV #: 00
DESCRIPTION: Sky-X-Stand Hitch Mount 24H				SHEET: 1	OF: OF
				DWG #:	70023

REV #	DATE	DESCRIPTION OF REVISION	BY

**TOLERANCES**

(UNLESS OTHERWISE SPECIFIED)

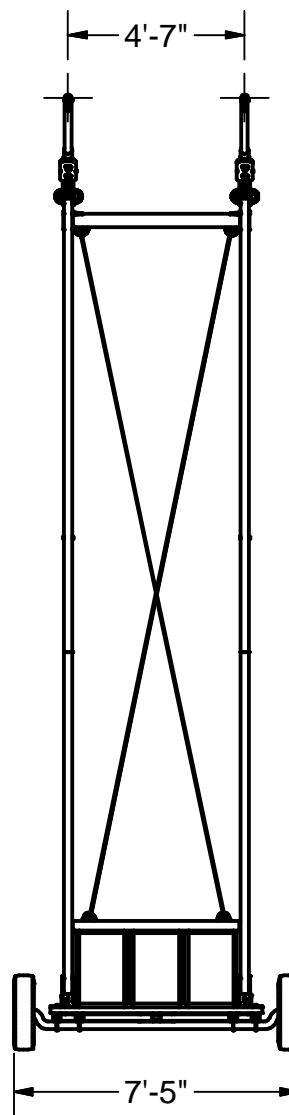
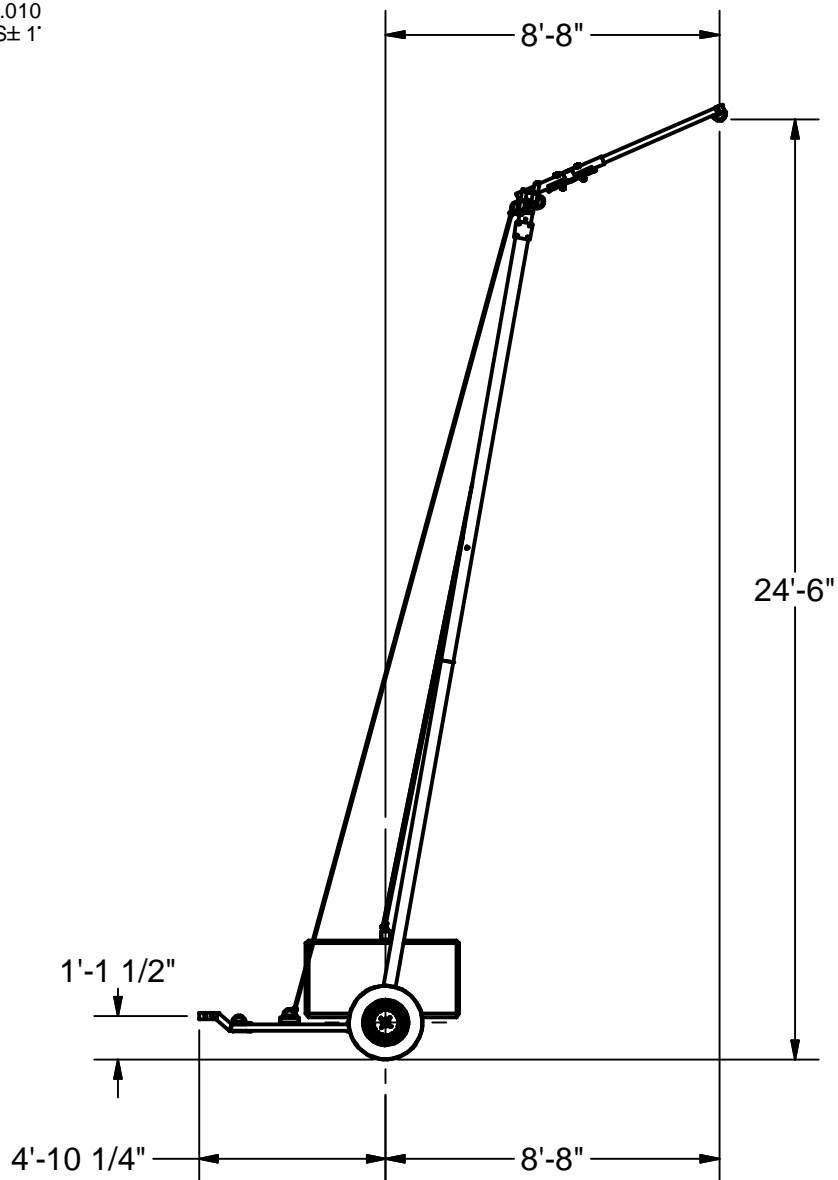
- .X± 0.040
- .XX± 0.020
- .XXX± 0.010
- ANGLES± 1°

**METRIC DIMENSIONS**

**TOLERANCES**

(UNLESS OTHERWISE SPECIFIED)

- .X± 0.60
- .XX± 0.30
- ANGLES± 1°



ITEM #	PART #	QTY	DESCRIPTION
<b>Tuff Built Products Inc.</b>			
<b>INVENTOR</b>			
DRAWN BY: <b>RGB</b>		DATE: <b>07/05/2010</b>	SCALE: DIMENSIONS: <b>INCHES (mm)</b>
CHECKED BY:		DATE:	APPROVED BY: DATE:
PROJECT: <b>10433</b>			DWG SIZE: <b>A</b>   REV #: <b>00</b>   SHEET: <b>2</b> OF:
DESCRIPTION: <b>Sky-X-Stand Hitch Mount 24H</b>			DWG #: <b>70023</b>

REV #	DATE	DESCRIPTION OF REVISION	BY